

MODEL J SERIES

A snap-action thermal protector suitable for use on 120/240/277 VAC loads. Available with a variety of bimetallic elements to vary the circuit breaker characteristics of the device. Excellent for use as a short circuit protector for rechargeable battery packs.

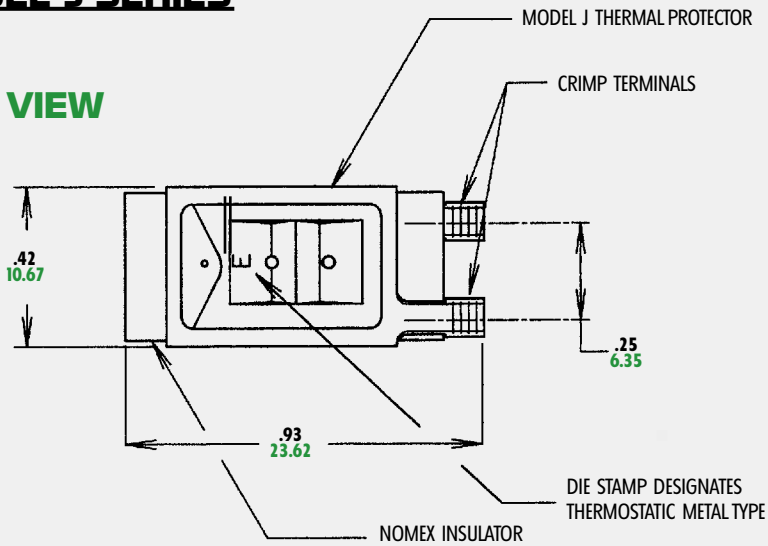


FEATURES

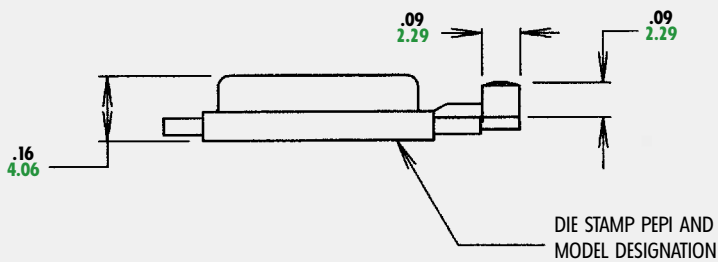
- Snap-action device; quick make/quick break switching action.
- Temperature differential between opening and closing can vary from 10°C to 70°C—depending upon the no-load calibration temperature. Tighter differentials available upon request.
- Conductive bimetal construction; the bimetallic element carries the circuit current for maximum sensitivity under short circuit conditions.
- Preset calibration temperature; not adjustable in the field.
- Case electrically live; insulating sleeving is available.
- Available with factory applied lead wires.

MODEL J SERIES

TOP VIEW



SIDE VIEW



METRIC DIMENSIONS ARE IN MM (SHOWN IN GREEN)

Copyright 2006, Portage Electric Products, Incorporated, all right reserved

CONTACT RATINGS

- VDE certified

NOTE: SPECIAL STAMPING REQUIRED

MAXIMUM BREAKING CURRENT (DC TYPE BATTERY LOADS)

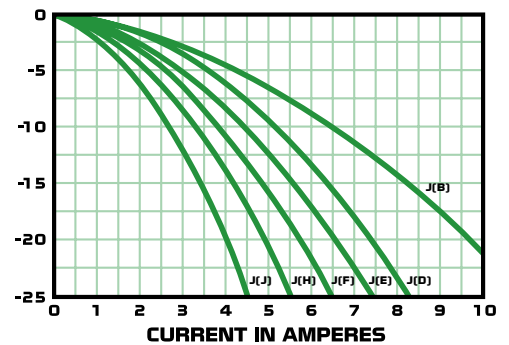
- Up to 150 amps/12 volts DC

Please consult our Sales Engineers for suggested contact ratings when applied to DC type loads.

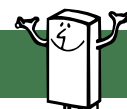
CALIBRATION TEMPERATURE RANGE

- Available with nominal calibration temperatures from 60°C to 150°C.

CURRENT DERATING CURVE



We come through when the heat is on™



Pepi®

Portage Electric Products, Inc.