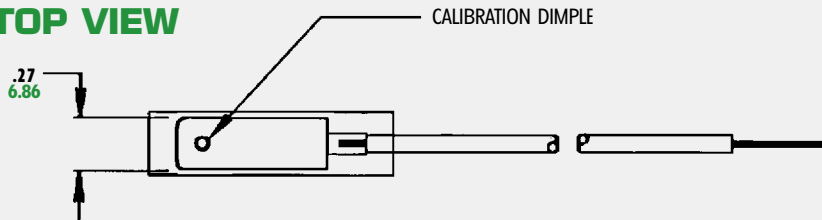


MODELS G AND GR

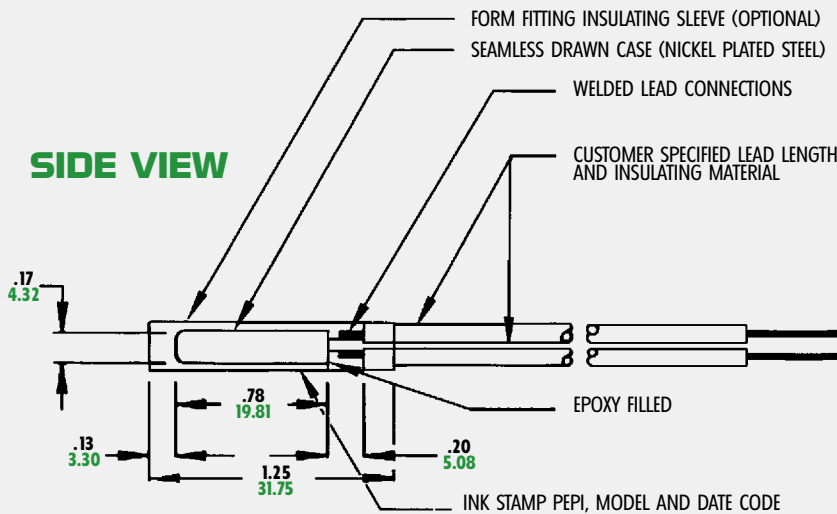


MODELS G AND GR

TOP VIEW



SIDE VIEW



METRIC DIMENSIONS ARE IN MM (SHOWN IN GREEN)

Copyright 2006, Portage Electric Products, Incorporated, all right reserved

A creep action thermal protector equipped with gold diffused contacts. Can be used in 120 VAC or low voltage/low current applications.

FEATURES

- Conductive bimetal construction; the bimetallic element carries the circuit current.
- Creep action device; slow make/slow break switching action.
- No built-in differential between the opening and closing temperature.
- Case is electrically live; insulating sleeving is available.
- Preset calibration temperature; not adjustable in the field.
- Available to open circuit on rise of temperature (normally closed), Model G; or close circuit on rise of temperature (normally open), Model GR.
- Equipped with gold diffused, fine silver contacts for use in low voltage/low current applications.

CONTACT RATINGS

- 2.5 amps/120 volts AC inductive

Please consult our Sales Engineers for suggested contact ratings when applied to DC type loads.

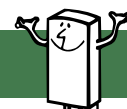
CALIBRATION TEMPERATURE RANGE

- Available with nominal calibration temperatures from 40°C to 150°C.

CURRENT DERATING CURVE



We come through when the heat is on™



Pepi®

Portage Electric Products, Inc.