

# MODELS C AND CR



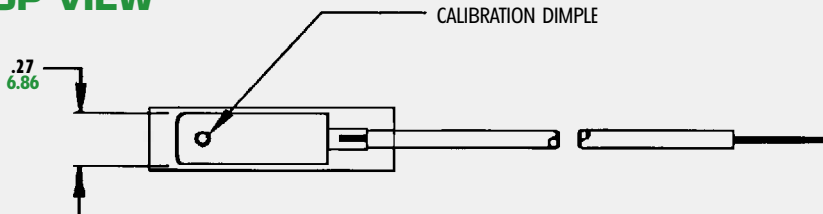
A creep action thermostat/thermal protector with conductive bimetal construction. Low internal resistance and equipped with gold diffused contacts for use in low voltage/low current applications.

## FEATURES

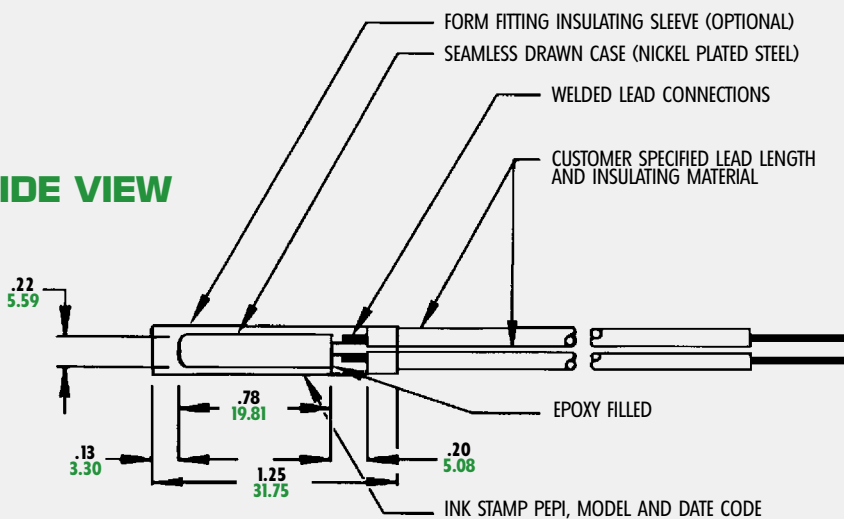
- Conductive bimetal construction; the bimetallic element carries the circuit current.
- No built-in differential between the opening and closing temperature.
- Case electrically live; insulating sleeving is available.
- Preset calibration temperature; not adjustable in the field.
- Available to open circuit on rise of temperature (normally closed), Model C; or close circuit on rise of temperature (normally open), Model CR.
- Equipped with gold diffused, fine silver contacts for use in low voltage/low current applications.

## MODELS C AND CR

### TOP VIEW



### SIDE VIEW



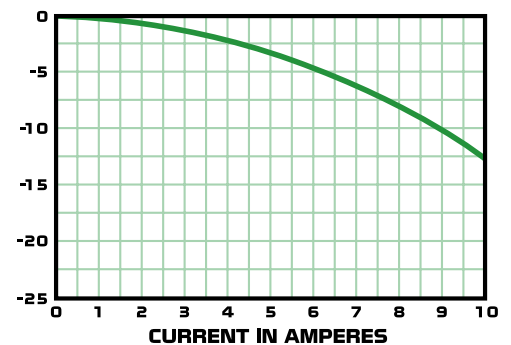
## CONTACT RATINGS

- 6 amps/120 volts AC resistive
  - 4 amps/240 volts AC resistive
  - 5 amps/120 volts AC inductive
  - 2.5 amps/240 volts AC inductive
- Please consult our Sales Engineers for suggested contact ratings when applied to DC type loads.
- 8 amps/12 volts DC resistive
  - 4 amps/24 volts DC resistive

## CALIBRATION TEMPERATURE RANGE

- Available with nominal calibration temperatures from 5°C to 200°C.

## CURRENT DERATING CURVE



*We come through when the heat is on®*

METRIC DIMENSIONS ARE IN MM (SHOWN IN GREEN)

Copyright 2006, Portage Electric Products, Incorporated, all right reserved



Peppi®