

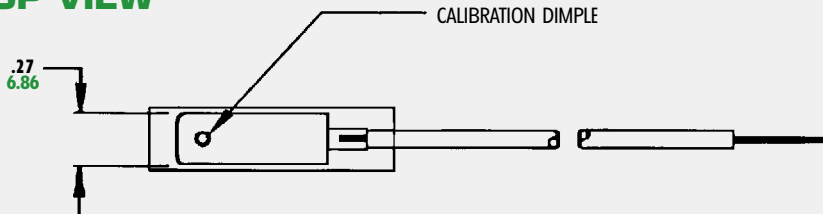
A creep action thermostat/thermal protector. Shunted type bimetal design allows for higher contact ratings. Equipped with gold diffused contacts for use in low voltage/low current applications.

MODEL B

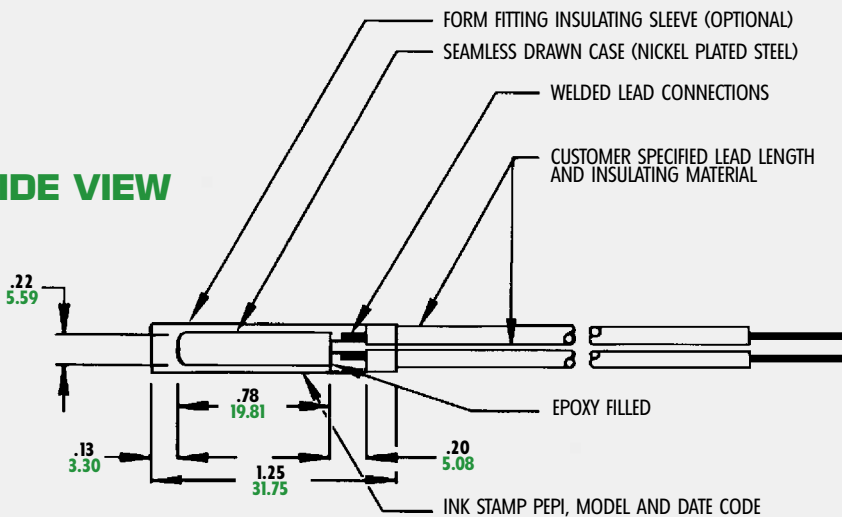


MODEL B

TOP VIEW



SIDE VIEW



FEATURES

- Shunted bimetal construction; the bimetallic element does not carry the circuit current.
- Creep action device; slow make/slow break switching action.
- Frictional differential between opening and closing varies from 2°C to 10°C from the opening temperature.
- Case electrically live; insulating sleeving is available.
- Preset calibration temperature; not adjustable in the field.
- Equipped with gold diffused, fine silver contacts for use in low voltage/low current applications.

CONTACT RATINGS

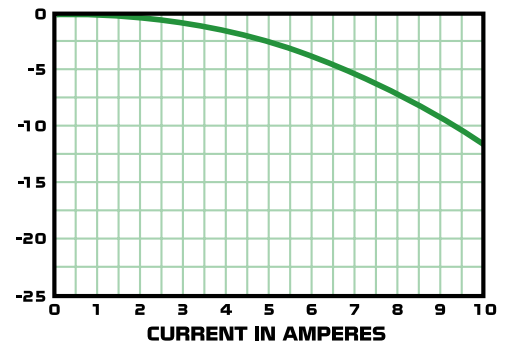
- 8 amps/120 volts AC resistive
- 6 amps/120 volts AC inductive
- 3 amps/240 volts AC inductive

Please consult our Sales Engineers for suggested contact ratings when applied to DC type loads.

CALIBRATION TEMPERATURE RANGE

- Available with nominal calibration temperatures from 5°C to 150°C.

CURRENT DERATING CURVE



METRIC DIMENSIONS ARE IN MM (SHOWN IN GREEN)

Copyright 2006, Portage Electric Products, Incorporated, all right reserved

We come through when the heat is on®



Pepi®

Portage Electric Products, Inc.