

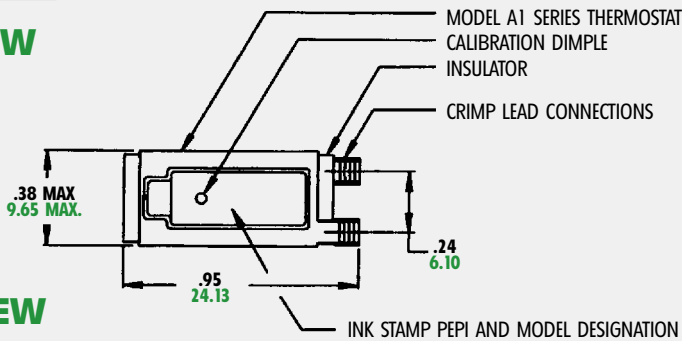
MODELS A1, AA1, A1R AND AA1R

A creep action thermostat with the lowest contact rating of all Model A Series thermo-stats. Evaluated for use in heating pads and electric blankets.

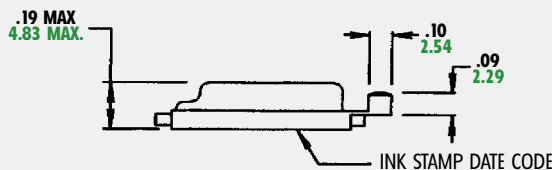


MODEL A1

TOP VIEW

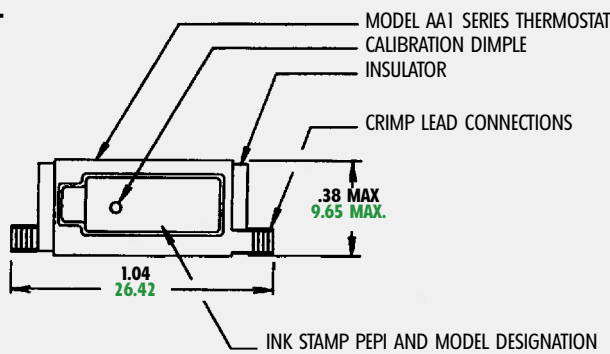


SIDE VIEW

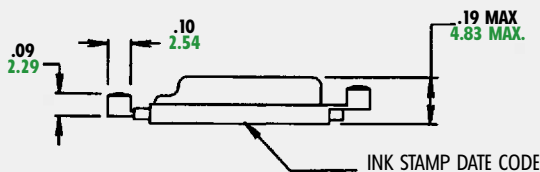


MODEL AA1

TOP VIEW



SIDE VIEW



METRIC DIMENSIONS ARE IN MM (SHOWN IN GREEN)

Copyright 2006, Portage Electric Products, Incorporated, all right reserved

FEATURES

- Conductive bimetal construction; the bimetallic element carries the circuit current.
- Creep action device; slow make/slow break switching action.
- No built-in differential between the opening and closing temperature.
- Case electrically live; insulating sleeving is available.
- Preset calibration temperature; not adjustable in the field.
- Available to open circuit on rise of temperature (normally closed), Models A1 and AA1; or closed circuit on rise of temperature (normally open), Models A1R and AA1R
- Available with same end termination, Models A1 and A1R; or opposite end termination, Model AA1 and AA1R.
- Available with factory applied lead wires.

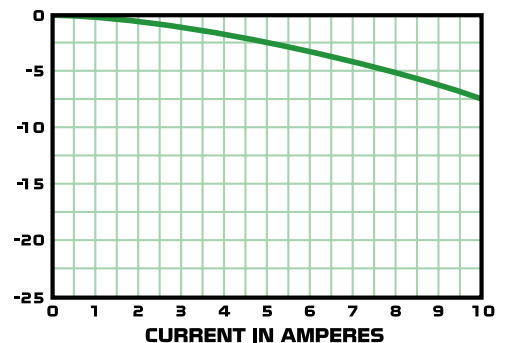
CONTACT RATINGS

- 1 amp/120 volts AC resistive
- 2 amps/120 volts AC inductive

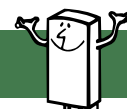
CALIBRATION TEMPERATURE RANGE

- Available with nominal calibration temperatures from 5°C to 150°C.

CURRENT DERATING CURVE



We come through when the heat is on®



Pepi®

Portage Electric Products, Inc.