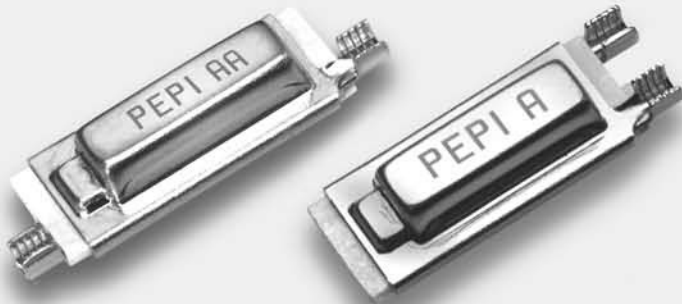


MODELS A AND AA

A creep action thermostat/thermal protector designed primarily for 120 VAC applications. Evaluated for use in heating pads and electric blankets.



FEATURES

- Conductive bimetal construction; the bimetallic element carries the circuit current.
- Creep action device; slow make/slow break switching action.
- No built-in differential between the opening and closing temperature.
- Case electrically live; insulating sleeving is available.
- Preset calibration temperature; not adjustable in the field.
- Available with same end termination, Model A; or opposite end termination, Model AA.
- Available with factory applied lead wires.

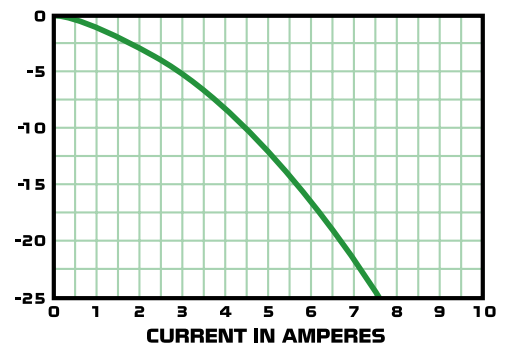
CONTACT RATINGS

- 3 amps/120 volts AC resistive
- 2 amps/120 volts AC resistive (heating pads)
- 3 amps/120 volts AC inductive

CALIBRATION TEMPERATURE RANGE

- Available with nominal calibration temperatures from 5°C to 150°C.

CURRENT DERATING CURVE



We come through when the heat is on™

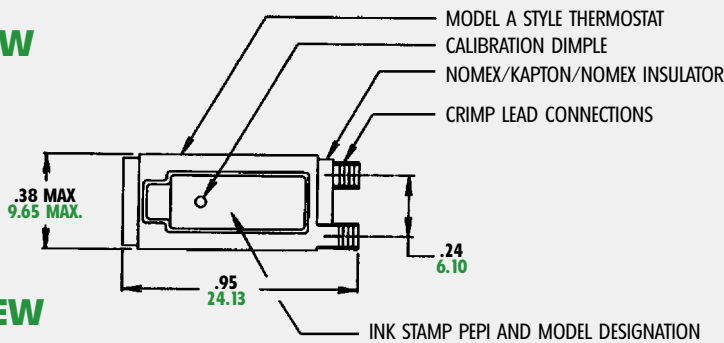


Pepi®

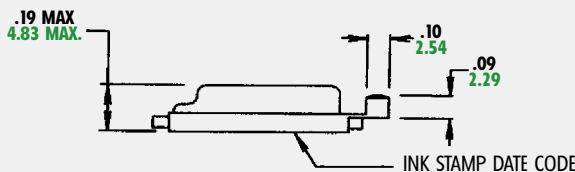
Portage Electric Products, Inc.

MODEL A

TOP VIEW

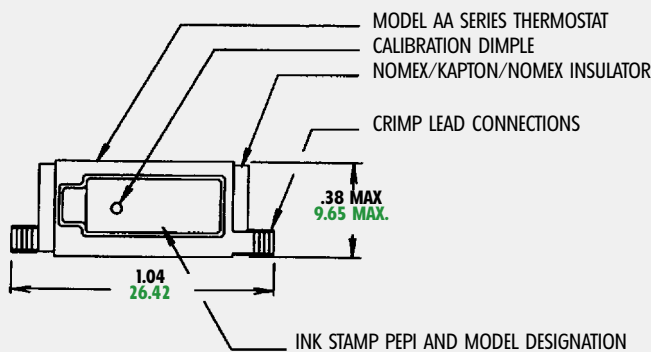


SIDE VIEW

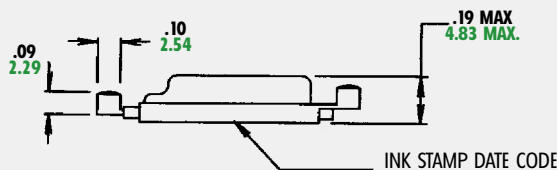


MODEL AA

TOP VIEW



SIDE VIEW



METRIC DIMENSIONS ARE IN MM (SHOWN IN GREEN)

Copyright 2006, Portage Electric Products, Incorporated, all right reserved