

# MODEL J(A)



A snap-action thermostat suitable for use on 120/240 VAC loads. Available with either a wide or narrow temperature differential between the opening and closing temperatures.

## FEATURES

- Snap-action device; quick make/quick break switching action.
- Temperature differential between opening and closing can be specified from 2°C to 40°C. Tighter differentials available upon request.
- Conductive bimetal construction; the bimetallic element carries the circuit current for maximum sensitivity under short circuit conditions.
- Preset calibration temperature; not adjustable in the field.
- Case electrically live; insulating sleeving is available.
- Available with factory applied lead wires.

## CONTACT RATINGS

- 5 amps/120 volts AC resistive
- 4 amps/240 volts AC resistive
- 10 amps/12 volts DC resistive
- 5 amps/24 volts DC resistive
- VDE certified

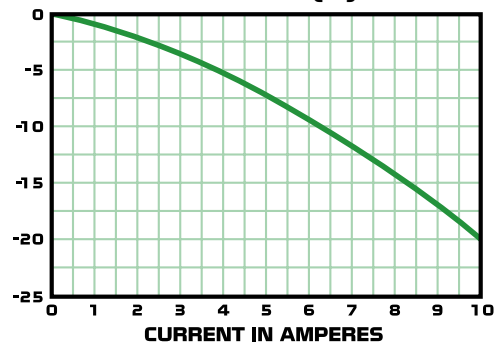
NOTE: SPECIAL STAMPING REQUIRED

Please consult our Sales Engineers for suggested contact ratings when applied to DC type loads.

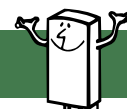
## CALIBRATION TEMPERATURE RANGE

- Available with nominal calibration temperatures from 60°C to 150°C.

## CURRENT DEBATING CURVE



*We come through when the heat is on®*

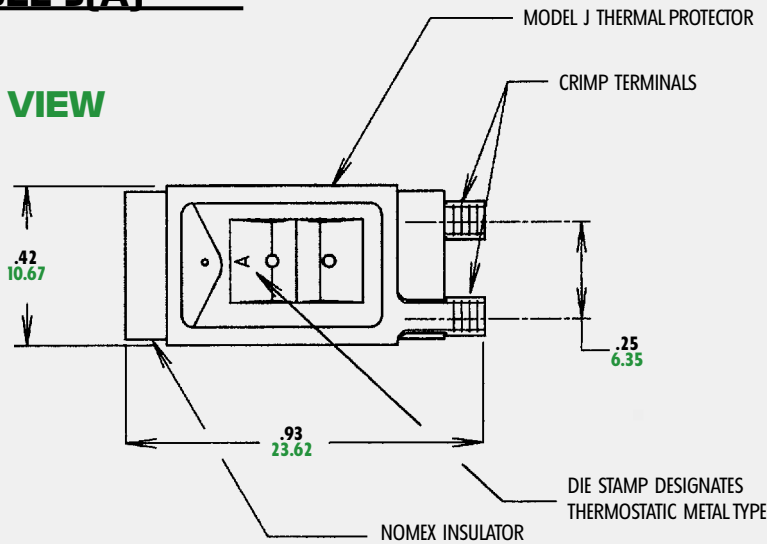


**Pepi®**

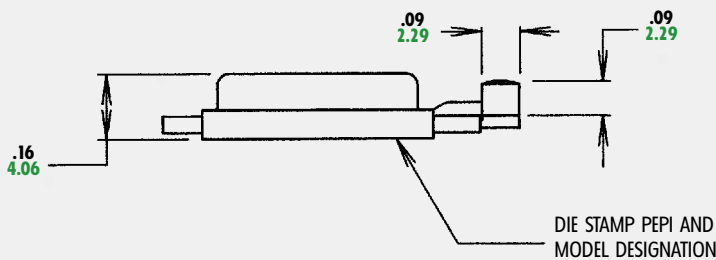
Portage Electric Products, Inc.

## MODEL J(A)

### TOP VIEW



### SIDE VIEW



METRIC DIMENSIONS ARE IN MM (SHOWN IN GREEN)

Copyright 2006, Portage Electric Products, Incorporated, all right reserved