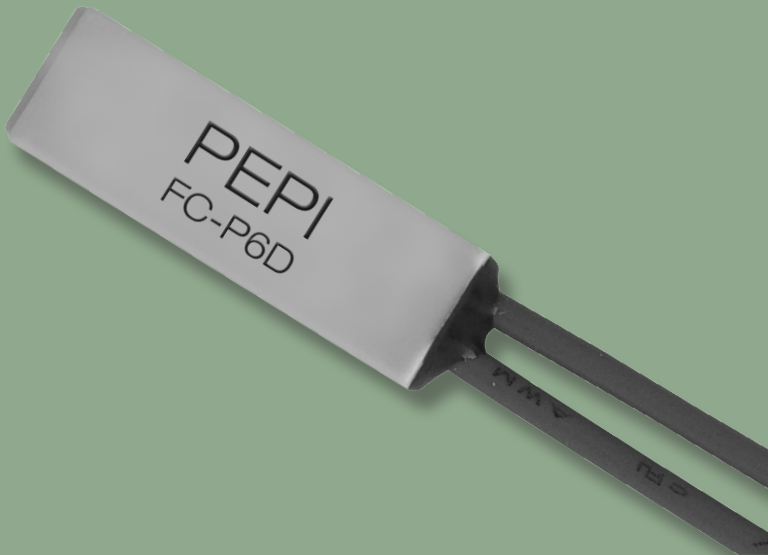




VALSTAT™ SERIES



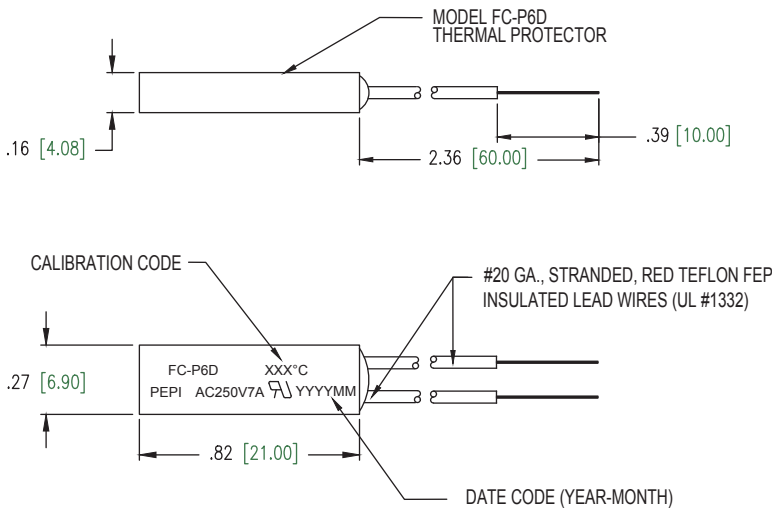
MODEL FC-P6D SERIES

This shunted snap action thermal control is a new addition to the Valstat™ Series of economical solutions for protection in motor, transformer, lighting and other applications. Since the bimetallic element does not carry the circuit current, the FC-P6D devices primarily react to temperature changes, creating less derating than with current sensitive devices.

FEATURES

- Snap-action design, quick break/quick make switching action.
- Ultra compact design with a high switching contact rating.
- Shunted design: Bimetallic element does not carry current. Device makes or breaks circuit primarily based on temperature. This results in reducing the internal heating effect of the device when used in applications with higher current loads.
- Preset Calibration temperature; not adjustable in the field.
- PBT thermoplastic case allows for a Maximum Exposure temperature of 170°C for 24 hours.
- Case has a Dielectric strength of 1,500 VAC for 1 minute or 1,800 VAC for 1 second with no arc.

METRIC DIMENSIONS ARE IN MM (SHOWN IN GREEN)



CONTACT RATINGS

- 10 AMPS/125 VAC
- 7 AMPS/250 VAC

These ratings are applicable for 6,000 cycles

- UL File No. E42562
- TUV Certification available upon request

CALIBRATION TEMPERATURE RANGE

- Available from 50°C to 150°C in increments of 5°C. Standard opening tolerance is $\pm 5^\circ\text{C}$
- Reset temperature approximately 30 to 35% lower than the opening temperature

STANDARD CONFIGURATION

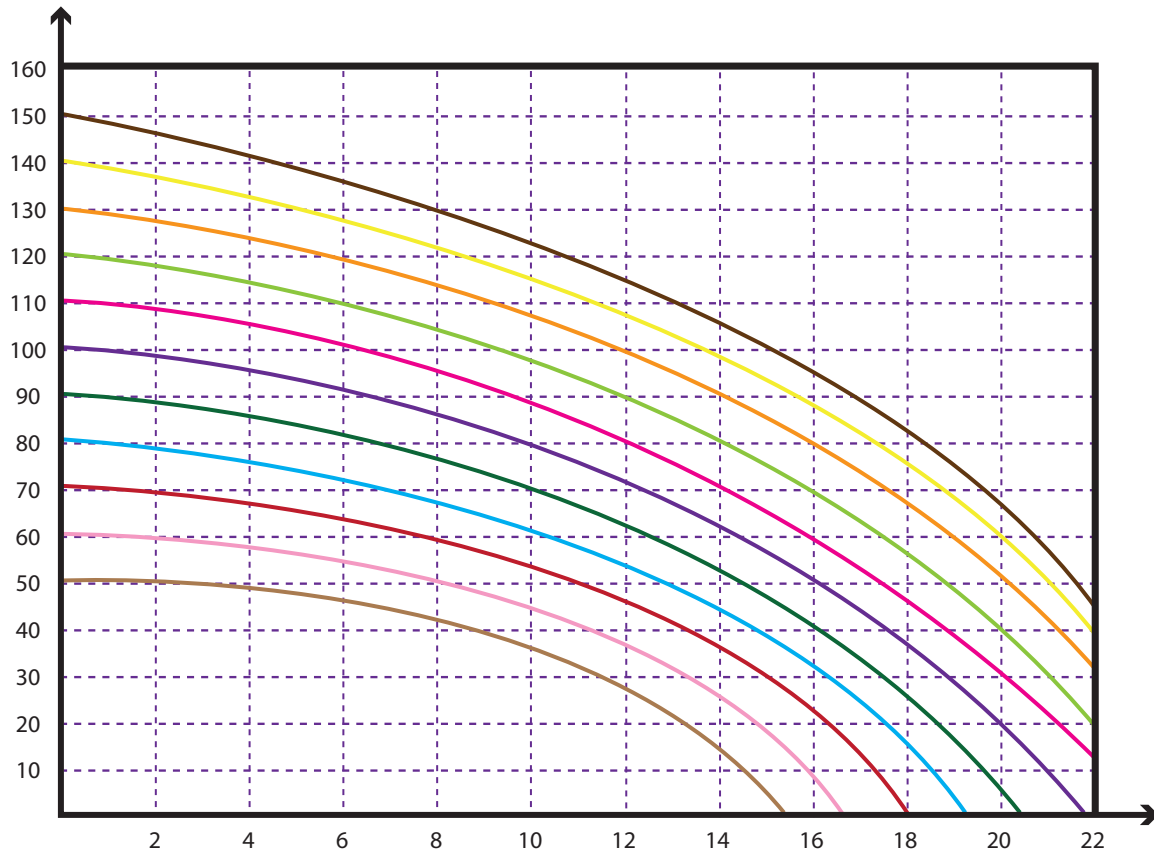
- FC-P6D Thermal Protectors are equipped with 60 mm wires stripped 9.5 mm, #20 gauge red Teflon insulated wire (UL #1332)
- Custom lead lengths are available from 30 mm to 300 mm.

Other configurations available, contact factory for further information.

APPLICATIONS

Motors, Transformers, Battery Pack, Lighting Fixtures, Electronic Circuits, and Heaters

Pepi Model FC-P6D Series



Portage Electric Products, Inc. The Thermal Control Specialists

This sheet contains basic technical and operating characteristic data for our Model FC-P6D Series. We have presented this data in such fashion, to attempt to provide necessary information for all the various markets which we serve.

Should you have any questions regarding the use of our Model FC-P6D devices in your application, please feel free to contact us for additional technical information or assistance.

Since 1963, Portage Electric Products, Inc. has been a world-wide supplier of bimetallic thermostats and thermal protectors. Today, we produce a wide variety of creep-action and snap-action devices for use in motors, transformers and converters, rechargeable battery packs, small and personal care appliances and many other OEM applications.

We come through when the heat is on®



Pepi®

Portage Electric Products, Inc.

Copyright 2016, Portage Electric Products, Incorporated, all rights reserved

7700 Freedom Ave. NW, P.O. Box 2170, North Canton, Ohio 44720, U.S.A.

Phone: (330) 499-2727 • 1-888-G04-PEPI • FAX (330) 499-1853 • e-mail: salesinfo@pepiusa.com • www.pepiusa.com